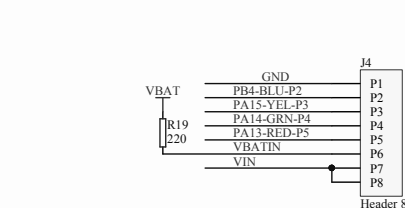
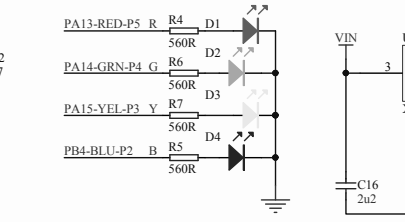
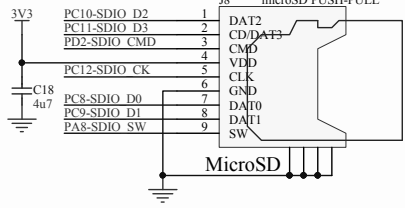
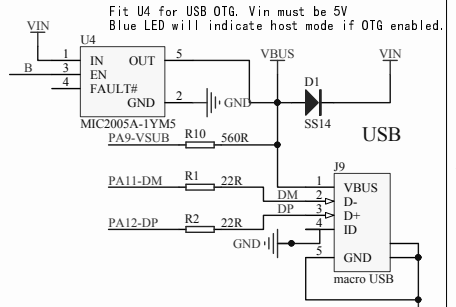
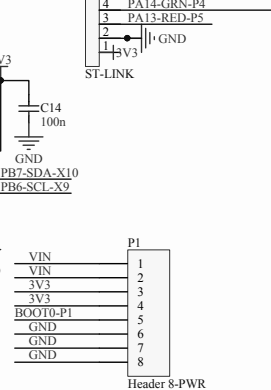
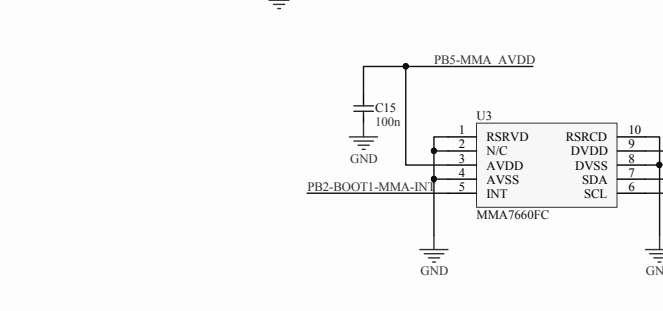
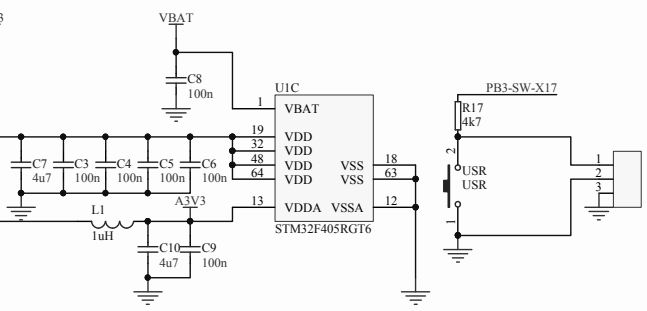




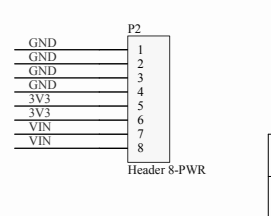
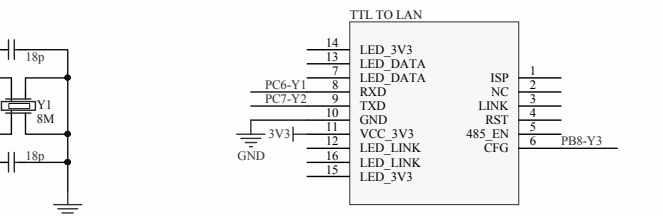
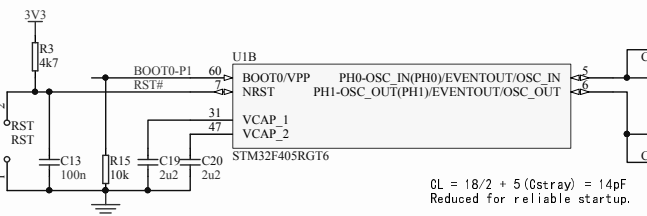
USB DFU requires stable levels on PA10, PB5, PB11 & PC11. PB2 must be low during boot.
R12, R13, R20 & R21 provide stable input levels for DFU.



STM32F405RGT6



All pins are 5V tolerant except PA4 & PA5
Therefore X skin SPI is not 5V tolerant
PC13 is limited to 3mA out



R19 prevents a silicon failure from short circuiting the backup battery.
Test points for JTAG debug available on bottom connector
Note: LED resistors may need to be removed for debug (tbd).

Title		TPYBoard STM32405 48Pin Schematic		Cannot open file
Size	A3	Number		Revision
Date:	2017/3/22			PYB_V1_0b
		Sheet of		